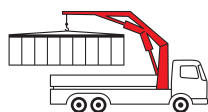




PK 22002-EH

High Performance

PALFINGER CRANE



KT
L
protected

Paltronic
50
controlled

RRC
Radio Remote Control
operated

ISC
Integrated Stability Control
monitored

AOS
Active Oscillation Suppression
inside

The ideal crane for cost-efficient mounting on tipper trucks

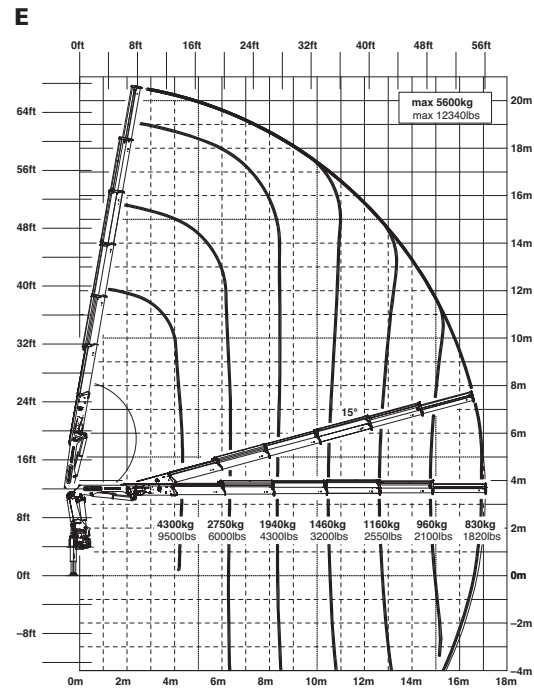
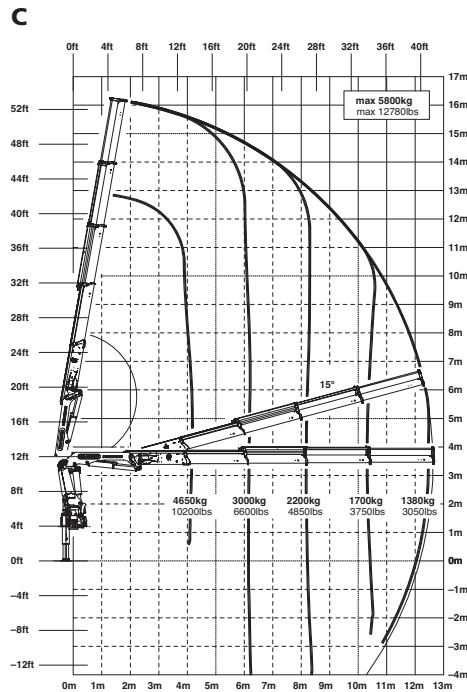
This truck-mounted crane combines functionality, comfort and safety in time-tested PALFINGER technology. Its design has function. Its motion geometry expands the horizon of possible uses. Equipped with a double telescope stabilizer system, it is ideally suited to mounting on tipper trucks.



Low dead weight
and large
stabilizer width

KP-HPK22002EL1+E
E 04/10, K 04/10, D 04/10

PK 22002 EH High Performance



Technical Specifications (EN 12999 HC1 HD4/B3)

Max. lifting moment	20.9 mt/205.0 kNm	151190 ft.lbs
Max. lifting capacity	6100 kg/59.8 kN	13440 lbs
Max. hydraulic outreach	17.1 m	56' 1"
Max. manual outreach	19.1 m	62' 8"
Max. outreach (with fly jib)	25.2 m	82' 8"
Slewing angle	400°	

Slewing torque	2.3 mt/22.6 kNm	16640 ft.lbs
Stabilizer spread	std. 5.0 m/16' 5"	max. 7.4 m/24' 3"
Fitting space required (std.)	0.91 m	2' 12"
Width folded	2.52 m	8' 3"
Max. operating pressure	350 bar	5075 psi
Recommended pump capacity	from 65 l/min	17.2 US gal./min
	to 90 l/min	23.8 US gal./min
Dead weight (std.)	2391 kg	5270 lbs

